

STEFFEN SYSTEMS SQUARE BALE ACCUMULATORS

**STEFFEN
SYSTEMS**

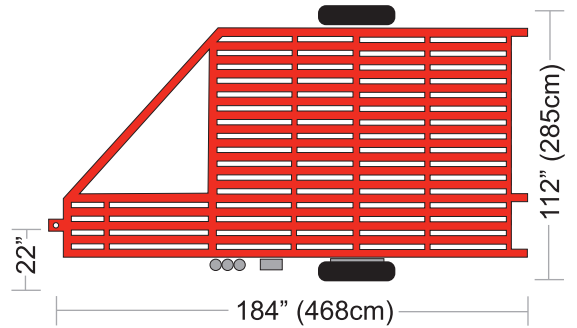
HAY HANDLING EQUIPMENT



Accumulator Model 1250

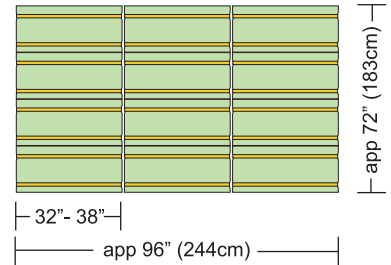


MODEL 1250

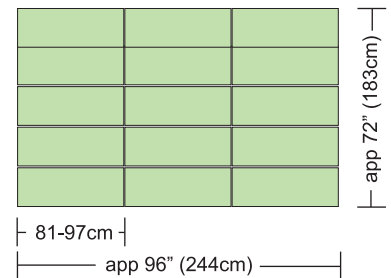


BALE CONFIGURATIONS:

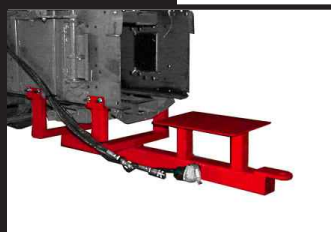
12 Bales Flat 14x18 or 16x18



15 Bales on Edge 14x18 *requires edge kit



OPTIONS



Hitch Kit

attaches to baler assembly required

SA-HK

also available with swing hitch for center-feed balers



Edge Kit

places bales on edge before they enter the accumulator

SA-EK



Hose Kit

with quick connects fits most tractors

SA-HO

compatible with:



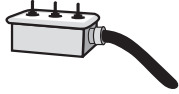
MODEL 6512 BALE HANDLER

STEFFEN SYSTEMS

STEFFEN SYSTEMS SQUARE BALE ACCUMULATORS

MODEL 1250

operator overrides
located in tractor cab

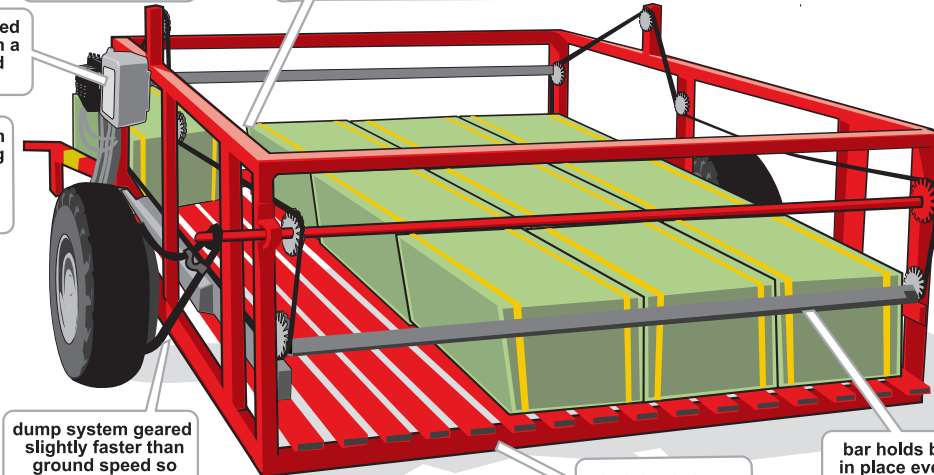


tows behind your
baler like a trailer
so it does not
put strain on
your baler's
chamber

gathering chain pulls bales
away as they exit the baler,
pausing when the push bar
or dump bar is in motion

completely automated
functions housed in a
weather protected
enclosure

offset hitch design
allows for tracking
behind the baler
on center feed balers
this machine tows
slightly off center



dump system geared
slightly faster than
ground speed so
each package drops
without spreading

deck holds bales
off the ground
until the complete
package is ready
to be dropped

bar holds bales
in place even on
steep hills

STEFFEN SYSTEMS

Steffen Systems offers a wide assortment of commercial grade Bale Accumulators capable of packaging eight to fifteen bales. Towed behind your baler, our accumulators connect directly to your tractor's hydraulic remotes and battery - eliminating the need for extra pumps or expensive hitch equipment. Smooth precision functions keep up with any baler's production. Our feed chain eliminates jamming by automatically pulling bales away from your baler, and pausing while the push bar works. Bales will not jam even at high output! Our dump system is tied to your ground speed - creating tight, uniform packages even in steep or rough terrain.

PRODUCT SPECIFICATIONS

shipping weight:	1500 lbs	682 kg
overall length:	184 inches	468 cm
shipping width:	118 inches	300 cm
overall width:	112 inches	285 cm
overall height:	59 inches	150 cm
tongue weight:	200 lbs empty	91 kg
	500 lbs loaded	227 kg

OPTIONAL EQUIPMENT

item:	shp wt:	part #:
Baler Hitch Kit	100 lbs	SA-HK
Swing Hitch Kit	125 lbs	SA-HS
Hydraulic Hose Kit	40 lbs	SA-HO
Edge Kit	650 lbs	SA-EK
Pull-Type Kit	900 lbs	SA-PT
Stationary Kit	120 lbs	SA-SK

Your factory authorized dealer:

2882 Howell Prairie Road NE
Salem, Oregon 97305
United States of America
www.SteffenSystems.com

1.888.STEFFEN
toll-free 888.783.3336