

STEFFEN SYSTEMS SQUARE BALE ACCUMULATORS

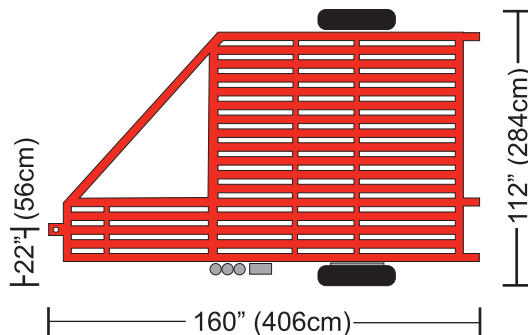


Accumulator Model 850

STEFFEN SYSTEMS

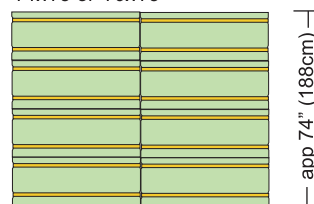


MODEL 850



BALE CONFIGURATIONS:

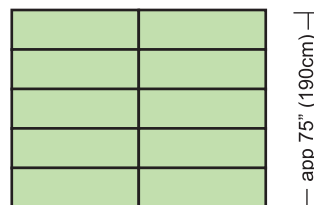
8 Bales Flat
14x18 or 16x18



30" - 48"
app 96" (244cm)

app 74" (188cm)

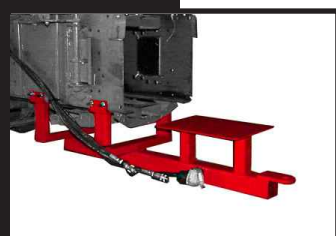
10 Bales on Edge
14x18 *requires edge kit



76-122cm
app 96" (244cm)

app 75" (190cm)

OPTIONS



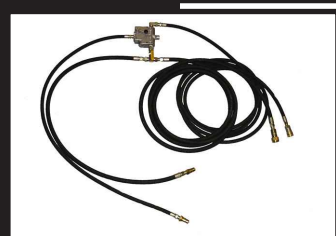
Hitch Kit
attaches to baler assembly required

SA-HK
also available with swing hitch for center-feed balers



Edge Kit
places bales on edge before they enter the accumulator

SA-EK



Hose Kit
with quick connects fits most tractors

SA-HO

compatible with:



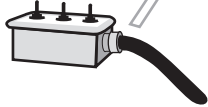
MODEL 5508 BALE HANDLER

STEFFEN SYSTEMS SQUARE BALE ACCUMULATORS

MODEL 850

STEFFEN SYSTEMS

operator overrides located in tractor cab



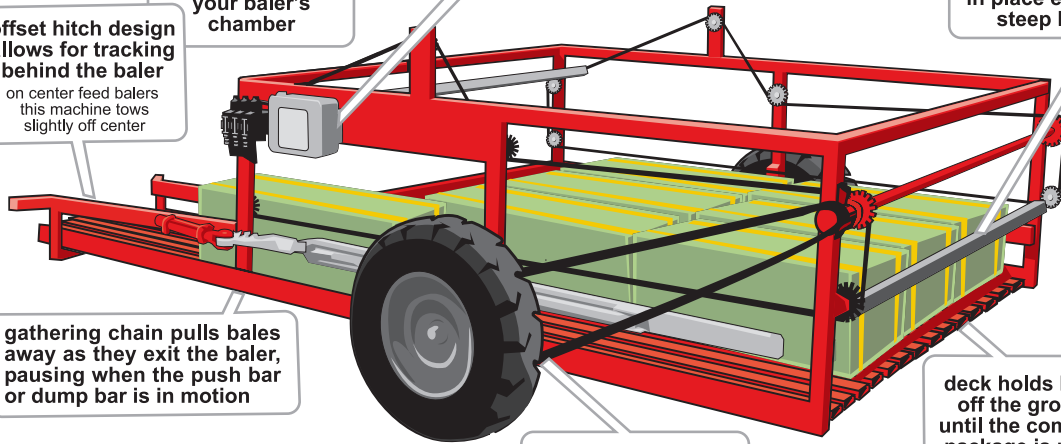
tows behind your baler like a trailer so it does not put strain on your baler's chamber

completely automated functions housed in a weather protected enclosure

offset hitch design allows for tracking behind the baler on center feed balers this machine tows slightly off center

bar holds bales in place even on steep hills

gathering chain pulls bales away as they exit the baler, pausing when the push bar or dump bar is in motion



dump system geared slightly faster than ground speed so each package drops without spreading

deck holds bales off the ground until the complete package is ready to be dropped

Steffen Systems offers a wide assortment of commercial grade Bale Accumulators capable of packaging eight to fifteen bales. Towed behind your baler, our accumulators connect directly to your tractor's hydraulic remotes and battery - eliminating the need for extra pumps or expensive hitch equipment. Smooth precision functions keep up with any baler's production. Our feed chain eliminates jamming by automatically pulling bales away from your baler, and pausing while the push bar works. Bales will not jam even at high output! Our dump system is tied to your ground speed - creating tight, uniform packages even in steep or rough terrain.

PRODUCT SPECIFICATIONS

shipping weight:	1300 lbs	591 kg
overall length:	166 inches	422 cm
shipping width:	100 inches	254 cm
overall width:	112 inches	285 cm
overall height:	59 inches	150 cm
tongue weight:	200 lbs empty	91 kg
	500 lbs loaded	227 kg

OPTIONAL EQUIPMENT

item:	shp wt:	part #:
Baler Hitch Kit	100 lbs	SA-HK
Swing Hitch Kit	125 lbs	SA-HS
Hydraulic Hose Kit	40 lbs	SA-HO
Edge Kit	650 lbs	SA-EK
Pull-Type Kit	900 lbs	SA-PT
Stationary Kit	120 lbs	SA-SK

Your factory authorized dealer:

2882 Howell Prairie Road NE
Salem, Oregon 97305
United States of America
www.SteffenSystems.com

1.888.STEFFEN
toll-free 888.783.3336