

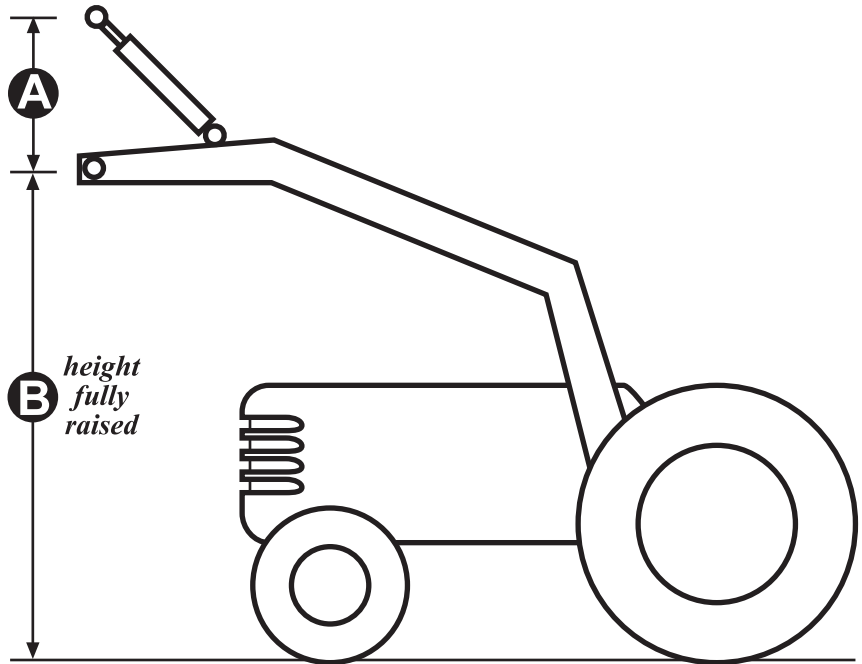
# STEFFEN SYSTEMS PIN-TYPE SHEET

- SH-ST *standard*      SH-EX *extended for rotator*

A. \_\_\_\_\_

B. \_\_\_\_\_

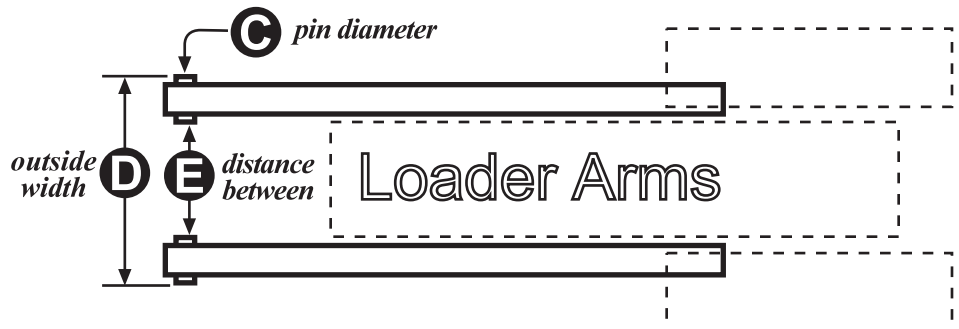
Record all eight of the required dimensions so we can build the custom attachments for your tractor loader.



C. \_\_\_\_\_

D. \_\_\_\_\_

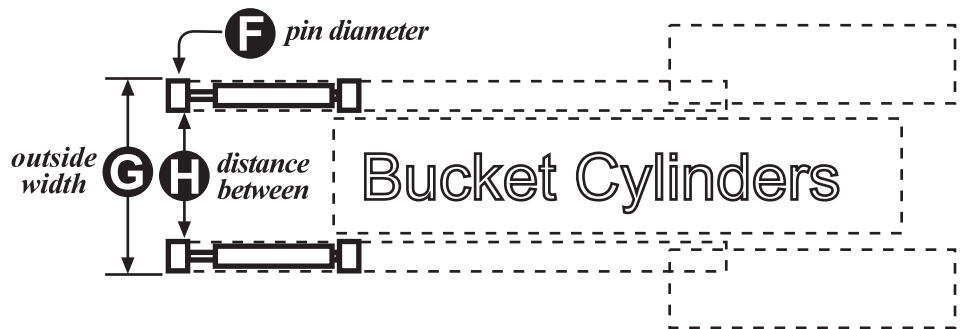
E. \_\_\_\_\_



F. \_\_\_\_\_

G. \_\_\_\_\_

H. \_\_\_\_\_



Please fill out all information and fax back



888.783.3336 toll-free  
 503.399.9941 phone  
 503.371.4779 fax  
 hayman@SteffenSystems.com