

# STEFFEN SYSTEMS SQUARE BALE HANDLERS



## Handler Model 8520

STEFFEN SYSTEMS

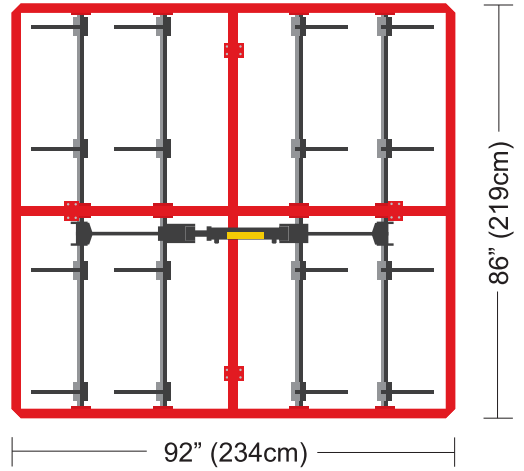


### MODEL 8520

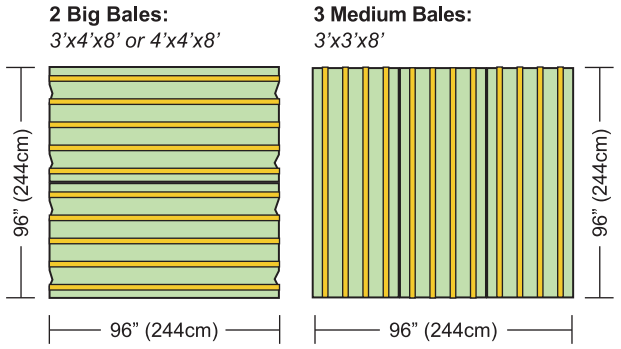
*shown mounted on a Model 260 loader*

#### MODEL 8520 SPECIFICATIONS

- shipping weight: **790 lbs**
- overall length: **86 inches**
- overall width: **92 inches**
- required loader: **90 hp (minimum)**
- 3500 lb capacity**
- standard features: **16 big adjustable teeth**
- self leveling**
- industrial hydraulics**



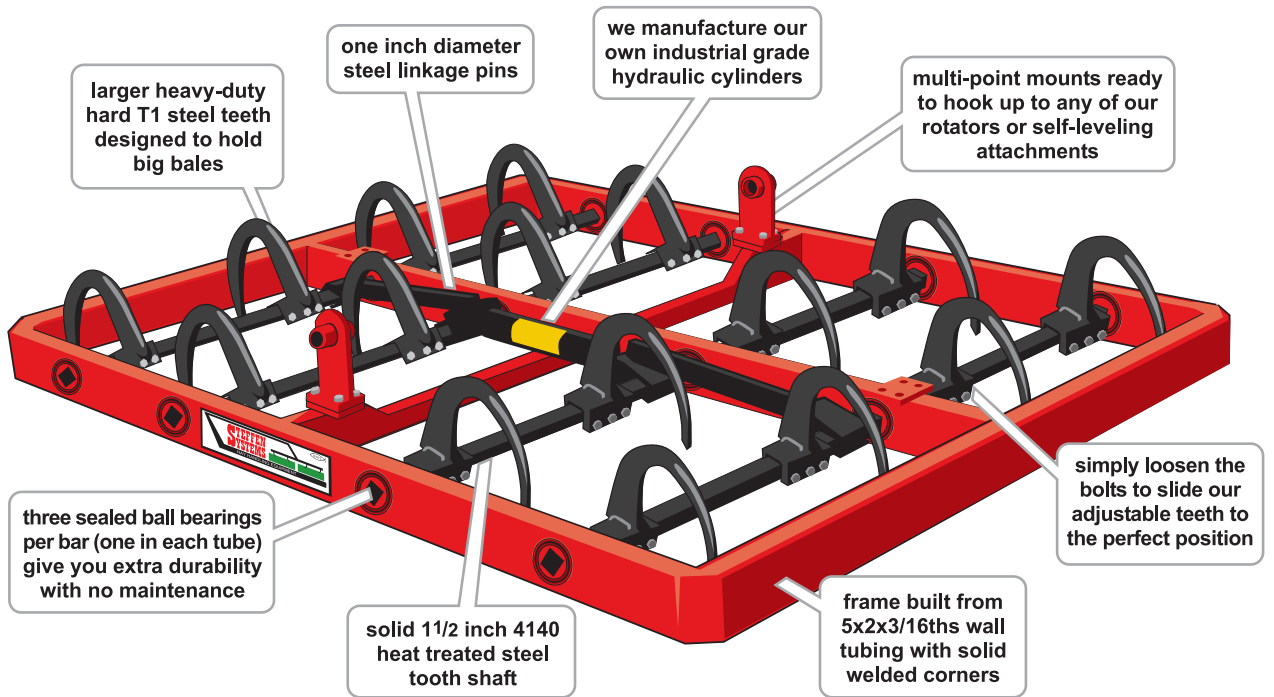
#### BALE CONFIGURATIONS:



Your factory authorized dealer:

# MODEL 8520 SQUARE BALE HANDLER

**STEFFEN SYSTEMS**



Steffen Systems Bale Handlers are the toughest, longest lasting units available. Their unique opposing spring steel teeth work like a claw, having the strength to curve deep into your tightest bales, yet easily gripping even your softest hay. The sealed ball bearing tooth shaft pivots, and an all steel tubing frame makes the entire unit virtually indestructible. Our Handlers quickly mount to a variety of loaders, and require only one hydraulic remote to operate the teeth.

## Attachments & Mounting Options



**Standard**

high lift gains up to 30 in. of stacking height

**SH-ST**



**Extended**

longer extension allows rotator to spin

**SH-EX**



**Rigid Fork**

specify model, available with pin or hook anchor

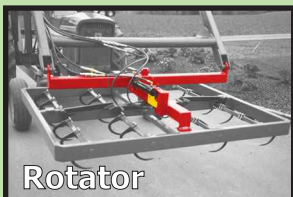
**SH-RF**



**Slip-on Fork**

specify fork length, width thickness and spacing

**SH-SF**



**Rotator**

bolts in, allowing up to 90 degree rotation to one side

**SH-RO**



**Skidsteer**

fits all standard skidsteers and skidsteer type loaders

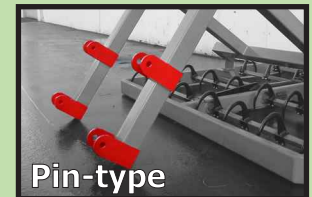
**SH-SS**



**Quick-attach**

Quick-attach is available for most popular models

**SH-QA**



**Pin-type**

made to order - complete a pin-type order form

**SH-PT**

2882 Howell Prairie Road NE  
Salem, Oregon 97305  
United States of America  
[www.SteffenSystems.com](http://www.SteffenSystems.com)

**1.888.STEFFEN**

toll-free 888.783.3336